



PATEL ENGINEERS

COATING • DRYING • LAMINATING • PRINTING

MULTIPURPOSE COATING MACHINE



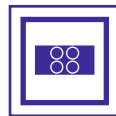
Agrotech



Buildtech



Clothtech



Medtech



Mobiltech



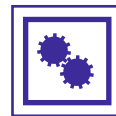
Oekotech



Geotech



Hometech



Indutech



Packtech



Protech



Sporttech



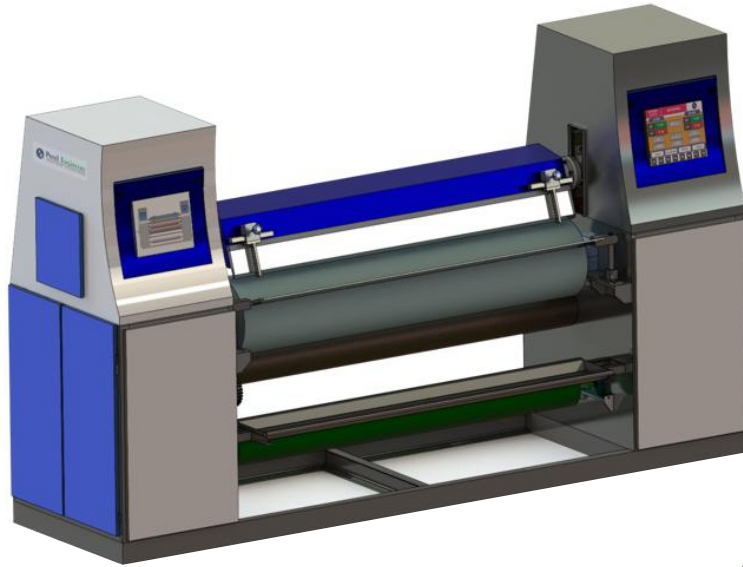
COATING TECHNOLOGIES

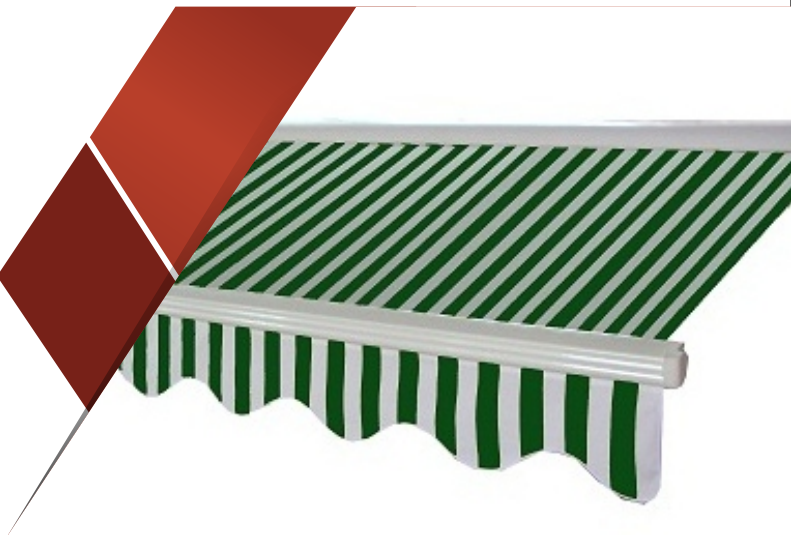


APPLICATIONS

- ▶ *BLACK OUT*
- ▶ *SYNTHETIC GRASS*
- ▶ *CARPET*
- ▶ *TARPAULINS*
- ▶ *TECHNICAL FABRICS*
- ▶ *GEOTEXTILES*
- ▶ *HOME TEXTILES*
- ▶ *SPORTSWEAR COMPONENTS*
- ▶ *HANDBAGS*
- ▶ *WATERPROOF AND BREATHABLE JACKETS*
- ▶ *SAILING JACKETS*
- ▶ *WIND-BREAKERS*
- ▶ *CARS*
- ▶ *BLACK OUT FABRIC*
- ▶ *TECHNICAL AND SPORTS SHOES*
- ▶ *MILITARY CLOTHING (BAGS AND RUCKSACKS)*
- ▶ *LIGHT MATS*
- ▶ *SAILS FOR SAILBOATS*
- ▶ *PARACHUTES*
- ▶ *AUTOMOTIVE*
- ▶ *AEROSPACE*
- ▶ *SPORT*
- ▶ *TRANSPORTATION*
- ▶ *MEDICAL*

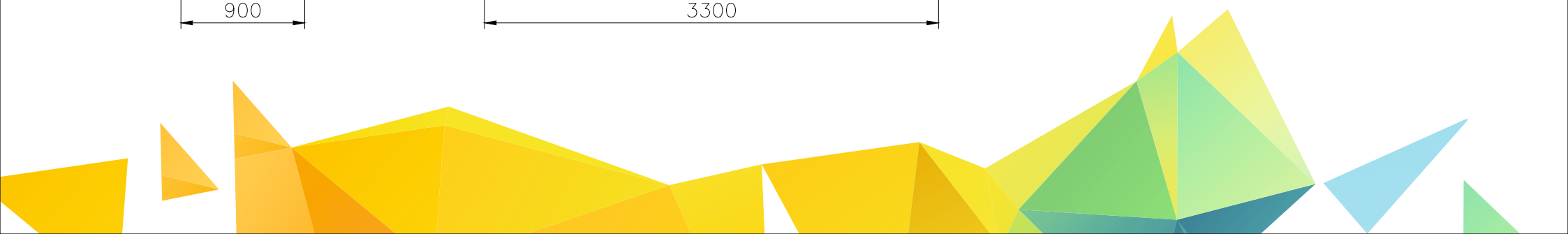
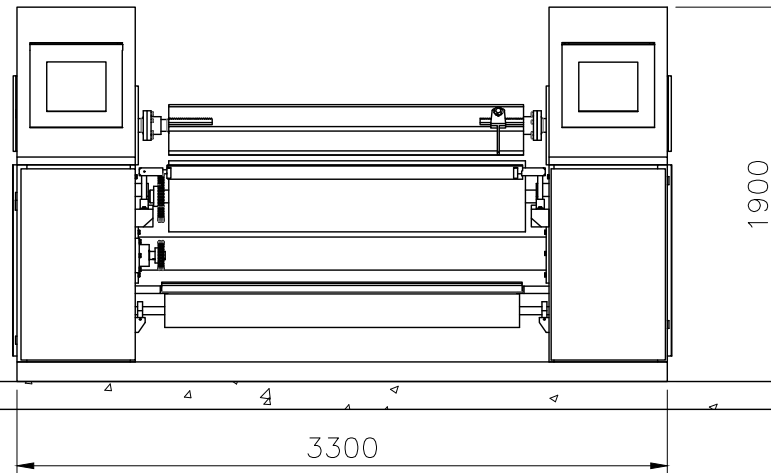
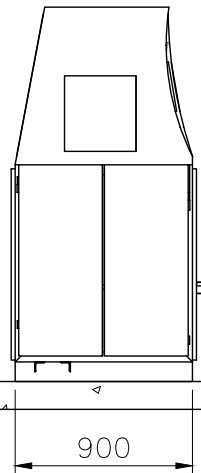
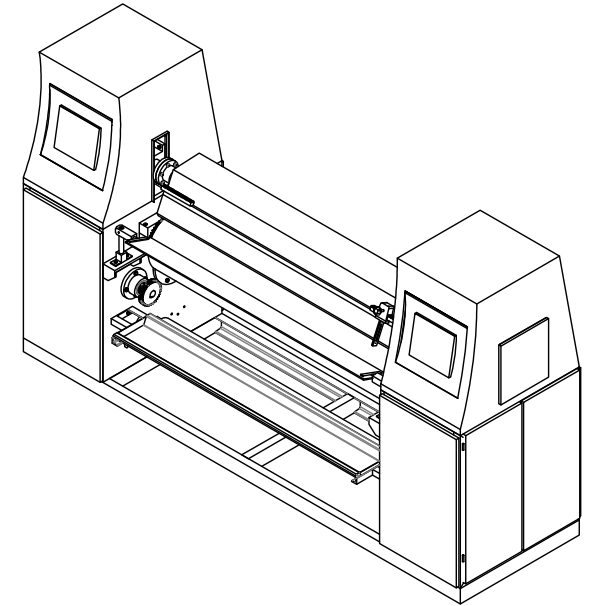
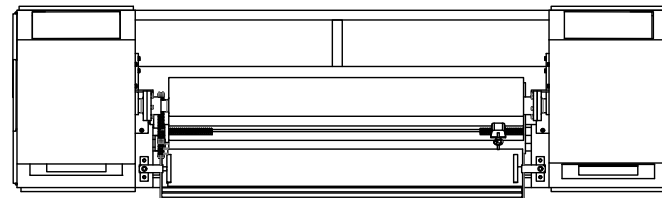
Knife Over Roll and Knife On Air Coating Machine







COATING HEAD





Plot No. A-2 / 6016, 4th Phase, G.I.D.C VAPI - 396 195. Gujarat, India. Mob : +91 987 924 0241
E-mail : patel_1987@hotmail.com • Website : www.patelengineers.net